

# **HONDA**

**POWER PRODUCTS**

**UMK425U • UMK435U  
OWNER'S MANUAL**

# INTRODUCTION

---

Thank you for purchasing a Honda grass/weed trimmer.

This manual covers the operation and maintenance of the HONDA GRASS /WEED TRIMMER UMK425U • UMK435U.

Honda reserves the right to make changes at any time without notice and without incurring any obligation.

No part of this publication may be reproduced without written permission.

This manual should be considered a permanent part of the grass/weed trimmer and should remain with it if it is resold.

Pay special attention to statements preceded by the following words;

**▲WARNING** Indicates a strong possibility of severe personal injury or death if instructions are not followed.

**CAUTION** : Indicates a possibility of personal injury or equipment damage if instructions are not followed.

**NOTE** : Giving helpful information.

If a problem should arise, or if you have any questions about the grass/weed trimmer, consult an authorised Honda dealer.

Honda grass/weed trimmers are designed to give safe and dependable service if operated according to instructions.

**▲WARNING** Operating a grass/weed trimmer requires special effort to ensure the safety of the operator and the safety of others. Read and understand this Owner's Manual before operating the grass/weed trimmer; failure to do so could result in personal injury or equipment damage.

HONDA 2005, ALL RIGHTS RESERVED

- The illustrations may vary according to the type.

# CONTENTS

---

1. SAFETY INSTRUCTIONS.....	3
2. SAFETY LABEL LOCATIONS .....	14
3. COMPONENT IDENTIFICATION.....	15
4. CONTROLS .....	17
5. PRE-OPERATION CHECKS .....	21
6. STARTING THE ENGINE .....	32
7. TRIMMING OPERATION .....	36
8. STOPPING THE ENGINE .....	39
9. MAINTENANCE .....	40
10. STORAGE .....	55
11. TROUBLESHOOTING .....	57
12. SPECIFICATIONS .....	58

Illustrations in this manual are for instructional purposes only and may not be true representations. All information contained in this manual is based on the latest product information available at the time of printing. Honda Australia Motorcycle and Power Equipment Pty. Ltd. reserve the right to make changes at any time without notice. No part of this publication may be reproduced, stored in a retrieval system, or transmitted, in any form by any means, electronic, mechanical, photocopying, recording, or otherwise, without the prior written permission of Honda Australia Motorcycle and Power Equipment Pty. Ltd. This includes text, figures and tables.

**Honda Australia Motorcycle and Power Equipment Pty. Ltd.**

ABN 96 006 662 862(trading as Honda MPE).

# 1. SAFETY INSTRUCTIONS

## ⚠ WARNING

### To ensure safe operation

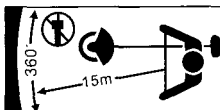
For your safety and safety of others, pay special attention to these precautions:



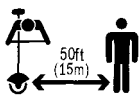
- Honda grass/weed trimmers are designed to give safe and dependable service if operated according to the instructions. Read and understand the Owner's Manual before operating the grass/weed trimmer. Failure to do so could result in personal injury or equipment damage.



- Keep all persons and pets away from the grass/weed trimmer operating area.



- To prevent accidental contact with the rotating cutting attachment (nylon-line cutting head or cutting blade) or thrown objects from the rotating cutting attachment, keep people and pets at least 15m (50 ft.) away from the grass/weed trimmer when it is in use.



- Wear eye protection, helmet and other protective devices to protect your eyes and body from objects (gravel, glass, wire, etc.) thrown by the rotating cutting attachment.

---

**▲ WARNING**

## To ensure safe operation

### Operator Responsibility

- Any part of the machine is a potential source of danger if the machine is used in abnormal conditions or if maintenance is not done correctly.
- Read the owner's manual carefully. Be familiar with the controls and the proper use of the grass/weed trimmer. Know how to stop the engine rapidly and how to unhook a harnessed grass/weed trimmer quickly.
- Use the grass/weed trimmer for the purpose it is intended for, that is trimming.

Any other use could be dangerous or damage the grass/weed trimmer.

Do not use the grass/weed trimmer as a pruning tool.

- Never allow people unfamiliar with this owner's manual to use the grass/weed trimmer. Local regulations may restrict the age of the operator.
- If you lend or resell your grass/weed trimmer to a third person, instruct him or her about how to handle the product and alert him or her to read the Owner's Manual carefully before operation.
- Never operate the grass/weed trimmer while:
  - people, especially children or pets are nearby.
  - user is fatigued or under medication, or has swallowed substances known to affect judgement or reactions.
- Keep people and pets at least 15m (50 ft.) away from the operator during operation. Note that an assistant to the operator should work at least 15 m (50 ft.) away from the operator, too. We recommend to decide the engine stop signal and other signals between the operator and assistant, and use them for safety during operation.
- Keep in mind that the operator or user is responsible for accidents or hazards occurring to other people or their property.

---

**⚠ WARNING**

## To ensure safe operation

### Operator Responsibility

- While operating the grass/weed trimmer, always wear following protective clothing and protective devices.
  - Protective clothing
    - Wear suitable clothes with long sleeves and long pants.  
The clothes must fit your body and button up or zip up the clothes securely. Do not leave the sleeves or bottom of the shirt/jacket loose. Wear arm covers, too.
    - Do not wear clothes with tapes, laces and/or ribbons, loose clothes, neckties, necklaces, etc. during operation. They can become caught in the grass/weed trimmer or on the weed, causing injury. Bind your hair if it is long, and do not let your hair go below your shoulder.
  - Protective devices
    - \* Goggles
      - Wear goggles or other eye protection to protect your eyes from debris that are thrown by the rotating cutting attachment (nylonline cutting head or cutting blade).
    - \* Helmet
      - Wear a helmet to protect your head from overhead branches and falling foreign material.
    - \* Face shield
      - Wear a face shield to protect your face from debris thrown by the rotating cutting attachment.
    - \* Ear muffs/ear plugs
      - Wear ear muffs, ear plugs or other hearing protection to protect your ears from the noise.
    - \* Gloves
      - Wear gloves to protect your hands.

**▲ WARNING**

## To ensure safe operation

### Operator Responsibility

\* Safety boots

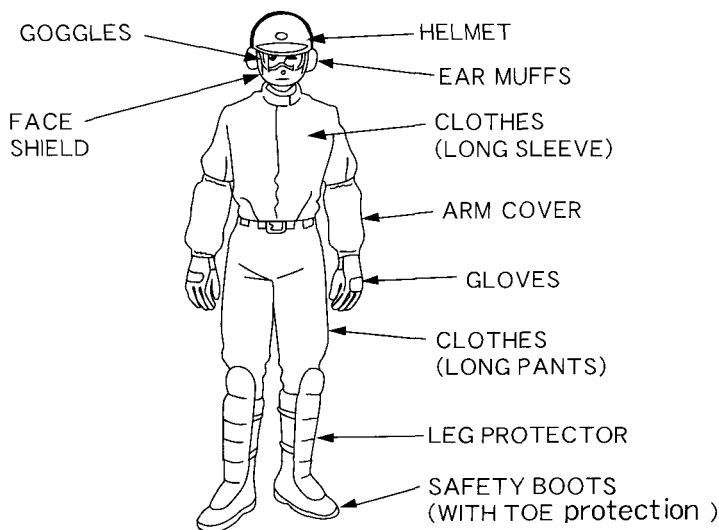
Wear safety boots with non-slip soles and toe protection protect your feet from flying debris.

Do not operate the equipment when barefoot or wearing open sandals.

Wear leg protectors as well.

\* Dust mask

We recommend that you wear the dust mask if you suffer from allergies, The dust mask is available at a pharmacy and it is helpful for reducing the amount of pollen you breathe.



- Before each use, visually inspect the grass/weed trimmer including the cutting attachment for any damage and looseness of fastening part.
- Avoid operating the grass/weed trimmer at night or in bad weather of poor visibility, because there is a high possibility of accident.
- Walk, never run during operation.
- Avoid operating the grass/weed trimmer on a steep slope. A steep slope is very slippery, so you can slip down.

---

**⚠ WARNING**

## To ensure safe operation

### Operator Responsibility

- Do not operate the grass/weed trimmer with the debris shield, labels, or other parts removed.  
Note that the debris shield is provided for protection of the operator from debris that are thrown from the rotating cutting attachment (nylon-line cutting head or cutting blade). Never operate the grass/weed trimmer with the debris shield removed or before securely installing the debris shield in the proper position.
- Do not mount an incorrect part and do not tamper with the grass/weed trimmer as it can result in personal injury and/or equipment damage. Use the cutting attachment that is designated for your model and application.
- Do not change the engine governor settings or overspeed the engine.
- Before cranking the engine, be sure to check the cutting attachment cannot come into contact with the ground or any obstruction.
- Start the engine carefully according to instructions and with hands and feet well away from the cutting attachment.
- Start the grass/weed trimmer on a level surface, free of high grass or obstacles.
- Do not raise the cutting attachment above your knee height during operation. You can be hit by the debris thrown by the rotating cutting attachment in your eyes and face causing injury.
- Never carry the grass/weed trimmer while the cutting attachment is turning. Before you carry the grass/weed trimmer, be sure to stop the engine and confirm the cutting attachment has stopped turning. If a cutting or saw blade is used, cover the blade with the protective plastic cover while carrying the trimmer.



## To ensure safe operation

### Operator Responsibility

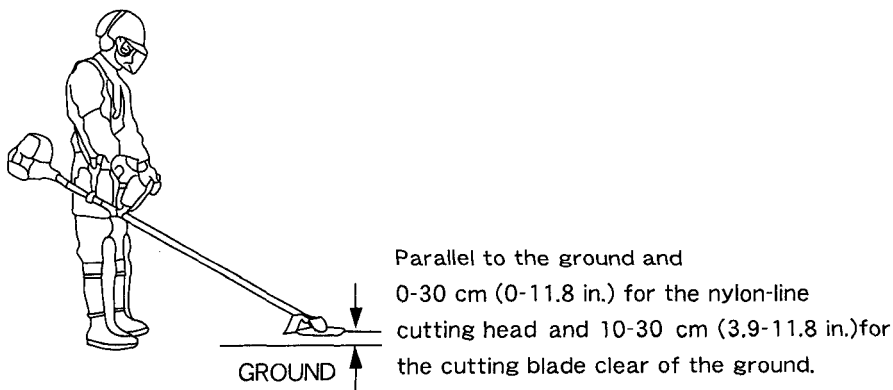
- Stop the engine and disconnect the spark plug cap in the following cases:
  - Before any operation around the cutting attachment( nylon-line cutting head or cutting blade).
  - Before checking, cleaning or working on the grass/weed trimmer.
  - After striking a foreign object. Inspect the grass/weed trimmer for damage and make repairs before restarting and operating the grass/weed trimmer again.
  - When wires catch on the rotating cutting attachment and flap around. Remove the wires after the cutting attachment has stopped turning.
- Stop the engine in the following cases:
  - Whenever you leave the grass/weed trimmer unattended.
  - Before refuelling.
  - When any person or pet is approaching.
  - Shut off the engine immediately when the grass/weed trimmer shows abnormal vibration suddenly. Sudden vibration can suggest the damaged rotating parts or loose fasteners. Examine the cause of the problem, and do not start the engine before a repair is made.
  - Before placing the grass/weed trimmer on the ground, make sure the cutting attachment stops turning as well.  
Note that the cutting attachment is turns by inertia immediately after returning the throttle trigger and while the engine is idling.  
(see page 19)
- The grass/weed trimmer is faulty when the engine is idling by returning the throttle but the cutting attachment keeps turning, and idle speed adjustment must be made. Consult your authorised Honda dealer.
- Keep all nuts, bolts and screws tight to be sure the grass/weed trimmer is in safe working condition. Regular maintenance is an essential aid to user's safety and retaining a high level of performance.
- Do not use the grass/weed trimmer with worn or damaged parts. Parts must be replaced, or repaired. Replace worn or damaged parts with HONDA genuine parts. Non equivalent-quality parts may damage the machine and be prejudicial to your safety.

**▲ WARNING**

## To ensure safe operation

### Operator Responsibility

- Adjust the holding position of your grass/weed trimmer.  
Be sure to adjust the holding position with the engine stopped. Adjust the carrying harness so that the quick-release latch is positioned at your right hip. Hook the grass/weed trimmer to the carrying harness. Adjust the carrying harness length so that the cutting attachment is parallel to the ground and stays above the ground keeping the clearance specified below. Note that it might be hard to hold the grass/weed trimmer in the correct position if you are very tall. Do not operate the grass/weed trimmer if the cutting attachment is close to your feet when you hold the grass/weed trimmer at the correct position.
- Check the balance of the grass/weed trimmer between front and rear for proper control and less fatigue.  
Hold the grass/weed trimmer at the correct position as described above. Slacken your grip on the handle gradually. Do not release but put your hands lightly on the handle and check that the cutting attachment-to-ground clearance does not change significantly. Balancing adjustment is necessary if the cutting attachment rises above your knees. Do not operate the grass/weed trimmer without the balancing adjustment.



- Hold the grass/weed trimmer firmly with your both hands during operation to keep the trimmer under control at all times.

---

**▲ WARNING**

## To ensure safe operation

### Operator Responsibility

· Injury caused by vibration and cold:

You may feel the prickling or burning pain in your fingers, and the fingers may lose color and feeling depending on your constitution. It is believed that these symptoms are brought by vibration and/or exposure to cold. The specific trigger point of these symptoms are not identified yet, but observe the following instructions.

- \* Limit the amount of time you spend operating the grass/weed trimmer in a day.

A day's work should consist of the work with the grass/weed trimmer and the other work without the hand-held equipment so you can limit the amount of time when your hands are exposed to the machine vibration.

- \* Keep your body warm, especially your hands, wrists and arms.
- \* Take your breaks at shorter intervals and arm exercises well to maintain good blood circulation. Do not smoke while working.
- \* When you feel discomfort, redness and swelling of the fingers followed by whitening and loss of feeling, consult your doctor promptly.

· Injury caused by repeated operation:

Performing the repeated operation for a prolonged time may cause injury. Observe the following instructions to reduce the causes of the injury.

- \* Avoid the repeated operation by using your wrist(s) in bent, stretched or twisted position.
- \* Take your breaks regularly to minimize the effect of the repeated operation. Take your time when performing the repeated operation. Do not rush to operate the grass/weed trimmer.
- \* When your fingers, hands, wrists and/or arms are throbbing or numbed, consult your doctor.

---

**⚠ WARNING**

## To ensure safe operation

### Child Safety

- Keep children indoors and supervised at all times when any outdoor power grass / weed trimmer is being used nearby. Young children move quickly and are attracted especially to the grass/weed trimmer and trimming activity.
- Never assume children will remain where you last saw them. Be alert and turn the grass/weed trimmer off if children enter the area.
- Children should never be allowed to operate the grass/weed trimmer, even under adult supervision.

### Thrown Object Hazard

Objects hit by the rotating cutting attachment (nylon-line cutting head or cutting blade) can be thrown from the grass/weed trimmer with great force, and may cause serious injury.

- Thoroughly inspect the area where the grass/weed trimmer is to be used and remove all objects (stones, branches, wires, bones, etc...) which may be thrown by the rotating cutting attachment.

---

**▲ WARNING**

## To ensure safe operation

### Fire and Burn Hazard

Petrol is extremely flammable, and petrol vapor can explode. Use extreme care when handling petrol. Keep petrol out of reach of children.

- Store fuel in containers specifically designed for this purpose.
- Refuel outdoors only, and do not smoke while refueling or handling fuel.
- Add fuel before starting the engine. Never remove the cap of the fuel tank or add petrol while the engine is running or when the engine is hot.
- If petrol is spilled, do not attempt to start the engine but move the grass/weed trimmer away from the area of spillage and avoid creating any source of ignition until petrol vapours have dissipated.
- Tighten all fuel tanks and container caps securely.
- When you start the engine after refueling, be sure to start the engine at least 3 m ( 10 ft.) away from the refueling spot.
- Never store the grass/weed trimmer with petrol in the tank inside a building where fumes may reach an open flame, spark or high temperature source.
- Allow the engine to cool before storing in any enclosure.
- To reduce the fire hazard, keep the grass/weed trimmer, especially the engine, muffler and the petrol storage area free of grass, leaves, or grease.

Do not leave containers of vegetable matter in or near a building.

- If the fuel tank has to be drained, this should be done outdoors, with a cold engine.

---

**⚠ WARNING**

To ensure safe operation

### **Carbon Monoxide Poisoning Hazard**

Exhaust contains poisonous carbon monoxide, a colorless and odorless gas. Breathing exhaust can cause loss of consciousness and may lead to death.

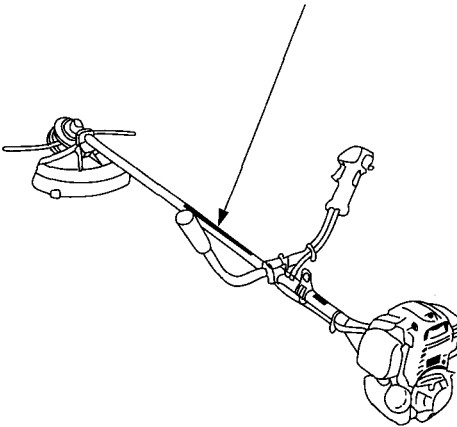
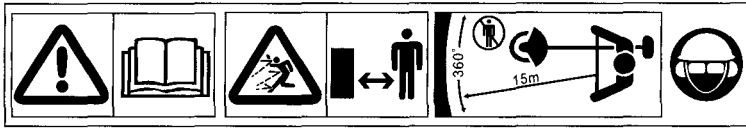
- If you run the engine in an area that is confined or even partially enclosed, the air you breathe could contain a dangerous amount of exhaust gas. To keep exhaust gas from building up, provide adequate ventilation.
- Replace faulty muffler.
- Do not operate the engine in a confined space where dangerous carbon monoxide fumes can collect.

## 2. SAFETY LABEL LOCATIONS

---

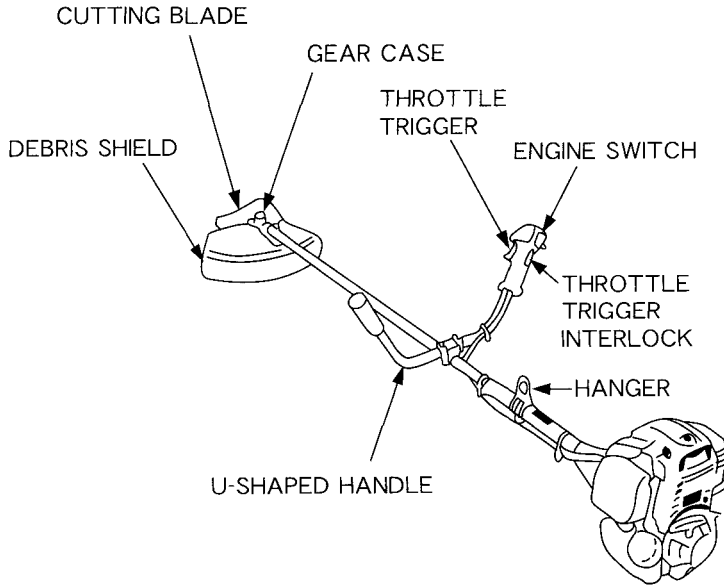
Your grass/weed trimmer must be used with care. Therefore, decals have been placed on the machine, to remind you pictorially of main precautions to take during use. Their meanings are explained on page 3.

These decals are considered as a part of the grass/weed trimmer. Should one become detached or unreadable, contact your HONDA dealer for its replacement.

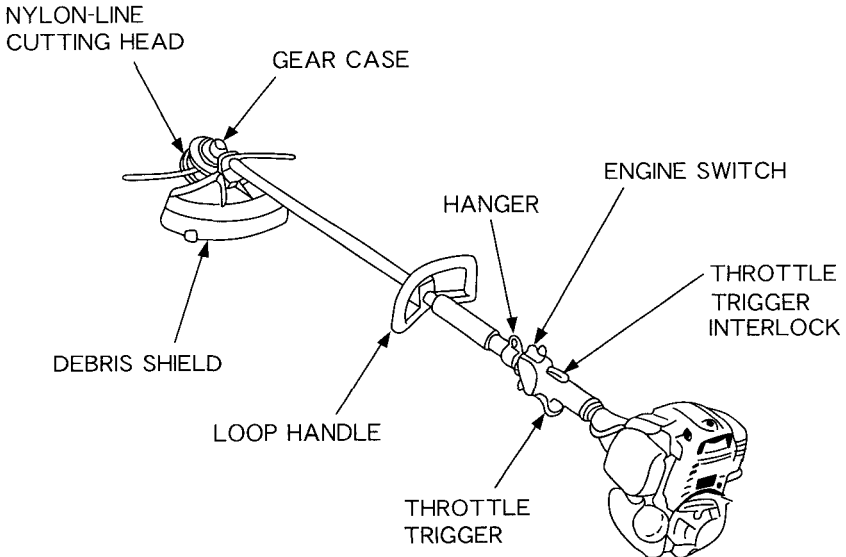


# 3. COMPONENT IDENTIFICATION

UMK 425U UGU  
UMK 435U UHU/UGU

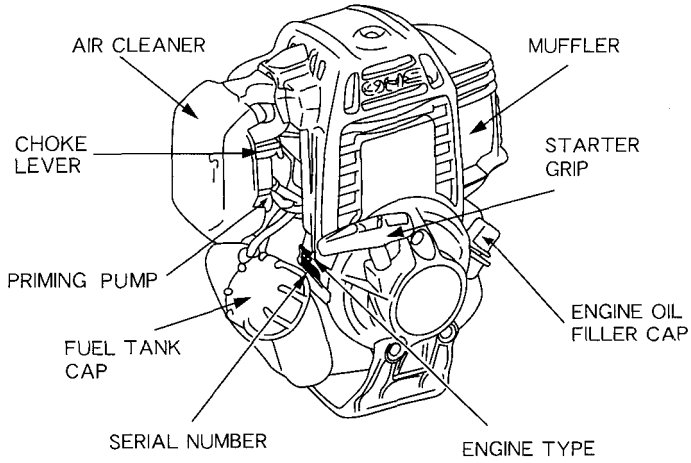


UMK 425U LGU  
UMK 435U LHU/LGU

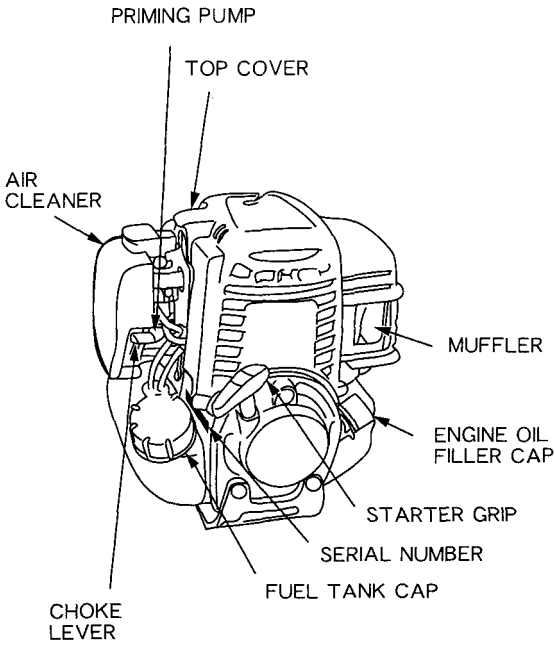




<UMK425U>



<UMK435U>



# 4. CONTROLS

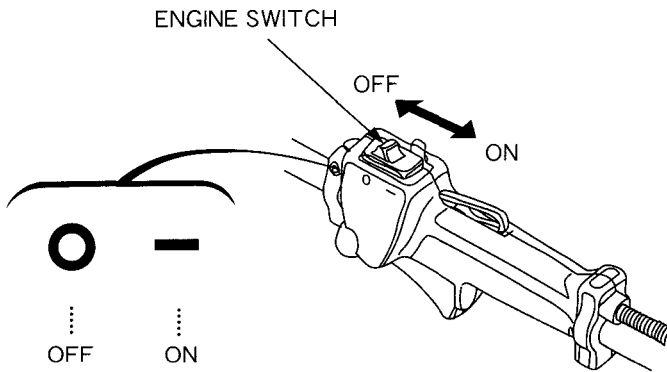
## 1. Engine switch

The engine switch enables and disables the ignition system.

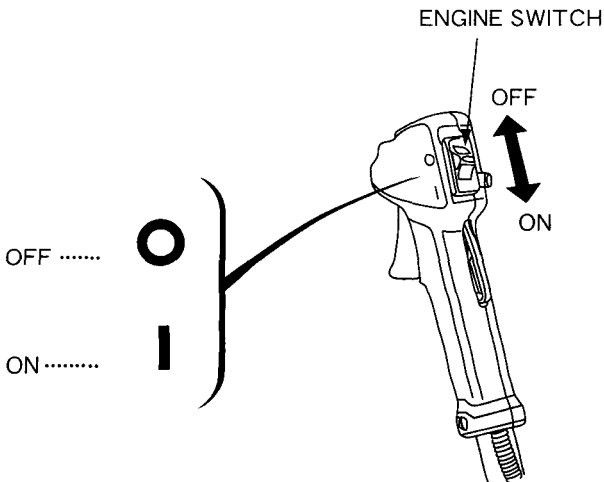
The engine switch must be in the ON position for the engine to run.

Turning the engine switch to the OFF position stops the engine.

Loop handle type:



U-shaped handle type:



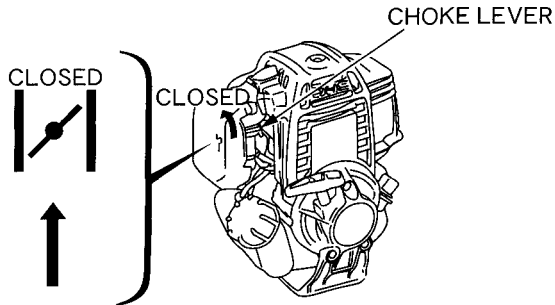
---

## 2. Choke lever

The choke lever opens and closes the choke valve in the carburetor.

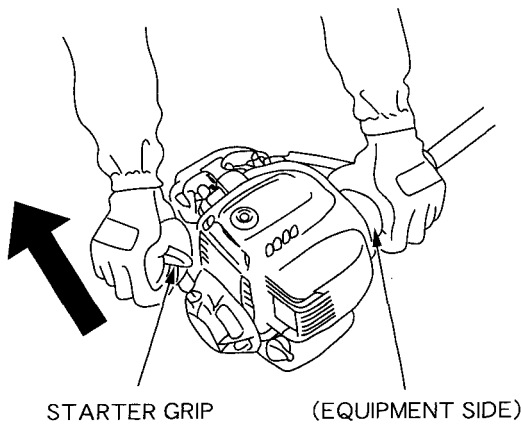
The CLOSED position enriches the fuel mixture for starting a cold engine.

The OPEN position provides the correct fuel mixture for operation after starting, and for restarting a warm engine.



## 3. Starter grip

Pulling the starter grip operates the recoil starter to crank the engine.



## 4. Throttle trigger

The throttle trigger controls engine speed.

Pulling and releasing the throttle trigger shown below makes the engine run faster or slower.

**NOTE:** The throttle trigger interlock must be depressed before the throttle trigger can be activated.

By pulling the throttle trigger gradually, the engine speed increases and the cutting attachment (nylon-line cutting head or cutting blade) starts to run. Pull the throttle trigger more to accelerate the engine speed and increase the cutting rotating speed.

By releasing the throttle trigger, the engine speed decreases and the cutting attachment keeps turning for a while by inertia, then it stops.

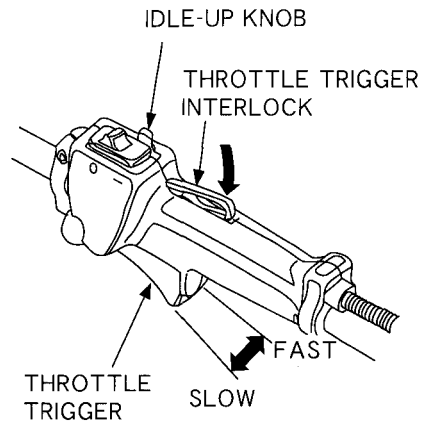
### Throttle trigger interlock:

The throttle trigger interlock makes the throttle trigger operable. The throttle trigger cannot be pulled unless the throttle trigger interlock has been pushed beforehand.

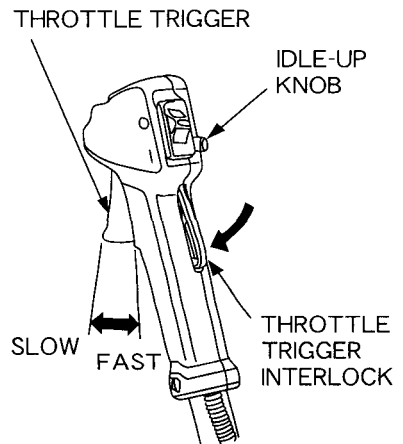
### Idle-up knob:

When it is hard to start the engine, the idle-up knob helps the engine to start (see page 35).

### Loop handle type:



### U-shaped handle type:

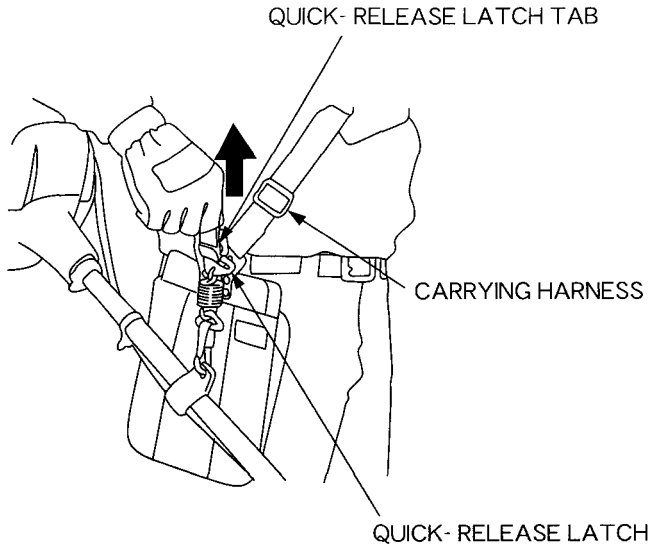


---

## 5. Quick-release latch

The quick-release latch tab is provided to detach the grass/weed trimmer from your body in an emergency.

Pull up the quick-release latch tab, and the grass/weed trimmer is detached from the carrying harness.



# 5. PRE-OPERATION CHECKS

For safe and efficient trimming, always make a pre-operation inspection before operating:

**⚠ WARNING** Perform a pre-operation inspection on a firm, level surface with the engine stopped and spark plug cap removed from the spark plug.

## 1. Check the engine oil level

**CAUTION :** Running the engine with low oil level will cause serious engine damage.

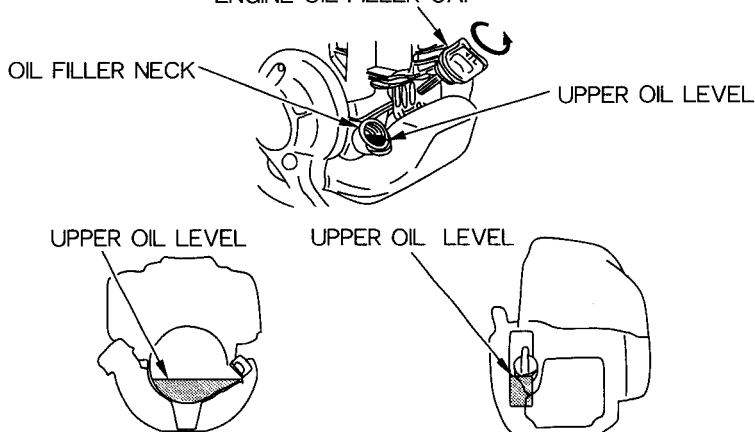
1. Place the grass/weed trimmer on a level surface and remove the oil filler cap.
2. Check the oil level : it should reach to the edge of the oil filler neck, and check the engine oil for contamination and deterioration.
3. If the oil level is low, fill to the edge of the oil-filler neck with the recommended oil (see page 22).  
If the oil is contaminated or deteriorated, replace it (see page 43).
4. Install the oil filler cap.

Every 10 hours, check the engine oil level and replenish oil up to the top of the oil filler neck.

**ENGINE OIL CAPACITY: 0.08 l ( UMK425U)**

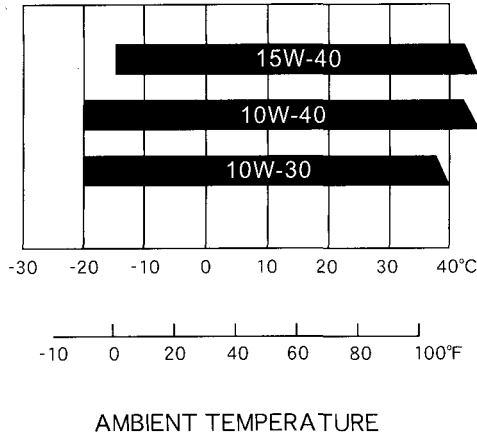
**0.10 l ( UMK435U)**

ENGINE OIL FILLER CAP



Use Honda 4-stroke, or an equivalent high detergent, premium quality motor oil certified to meet or exceed U. S. automobile manufacturer's requirements for service classification SG, SF. Motor oils classified SG, SF will show this designation on the container.

SAE Viscosity Grades



**CAUTION:**

Using nondetergent oil or 2-stroke engine oil could shorten the engine's service life.

The recommended operating range of this engine is  $-5^{\circ}\text{C}$  to  $40^{\circ}\text{C}$  ( $23^{\circ}\text{F}$  to  $104^{\circ}\text{F}$ ).

---

## 2. Check the fuel level

Use automotive unleaded petrol.

Never use an oil/gasoline mixture or dirty petrol. Avoid getting dirt, dust or water in the fuel tank.

### WARNING

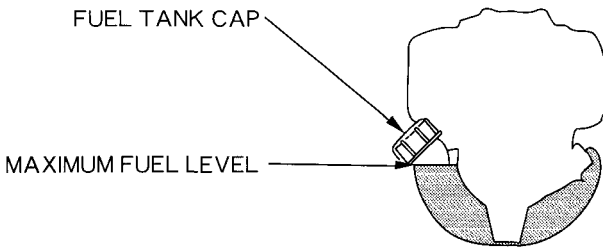
- Petrol is extremely flammable and is explosive under certain conditions.
- Refuel in a well-ventilated area with the engine stopped. Do not smoke or allow flames or sparks in the area where the engine is refueled or where petrol is stored.
- Do not overfill the fuel tank ( there should be no fuel in the filler neck). After refueling, make sure the tank cap is closed properly and securely.
- Be careful not to spill fuel when refueling. Spilled fuel or fuel vapor may ignite. If any fuel is spilled, make sure the area is dry before starting the engine.
- Avoid repeated or prolonged contact with skin or breathing of vapor.  
**KEEP OUT OF REACH OF CHILDREN.**

**CAUTION:** Petrol substitutes are not recommended; they may be harmful to fuel system components.



- 
1. Check the fuel level visually from the outside of the fuel tank while keeping the fuel filler neck upright.
  2. If the fuel level is low, refuel the fuel tank until the level as specified. Remove the fuel tank cap gradually to release a pressurized air in the fuel tank. Fuel in the fuel tank may spurt out, if the fuel tank cap is removed quickly.

**FUEL TANK CAPACITY. UMK425U: 0.55 ℓ**  
**UMK435U: 0.65 ℓ**



---

## Petrol containing alcohol

If you decide to use a petrol containing alcohol (gasohol), be sure it's octane rating is at least as high as that recommended by Honda. There are two types of " gasohol " : one containing ethanol, and the other containing methanol. Do not use gasohol that contains more than 10% ethanol. Do not use petrol containing methanol (methyl or wood alcohol) that does not also contain cosolvents and corrosion inhibitors for methanol. Never use petrol containing more than 5% methanol, even if it has cosolvents and corrosion inhibitors.

### NOTE:

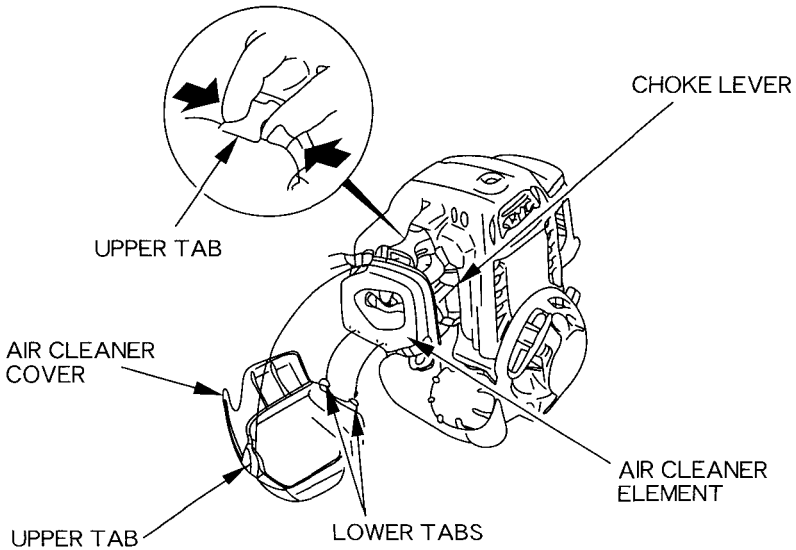
- Fuel system damage or engine performance problems resulting from the use of fuels that contain alcohol is not covered under the warranty. Honda cannot endorse the use of fuels containing methanol since evidence of their suitability is as yet incomplete.
- Before buying fuel from an unfamiliar station, try to find out if the fuel contains alcohol, if it does, confirm the type and percentage of alcohol used. If you notice any undesirable operating symptoms while using a petrol that contains alcohol, or one that you think contains alcohol, switch to a petrol that you know does not contain alcohol.

---

### 3. Check the air cleaner elements

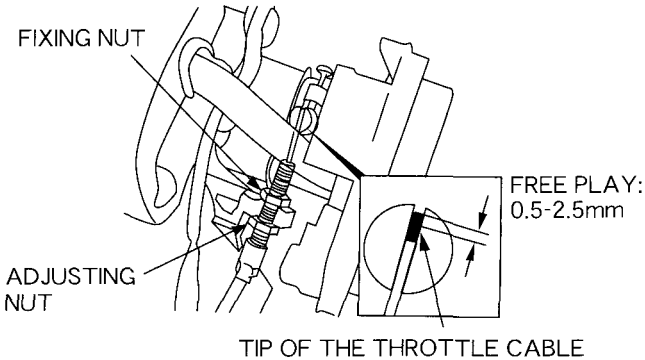
**CAUTION :** Never run the engine without the air cleaner; rapid engine wear will result.

1. Move the choke lever to the CLOSED (upwards) position.
2. Remove the air cleaner cover by unhooking the upper tab on the top of the air cleaner cover and its two lower tabs.
3. Check the air cleaner element for dirt or obstruction.  
Clean the air cleaner element, if it is dirty (see page 45).
4. Reinstall the air cleaner element.
5. Reinstall the air cleaner cover by inserting the lower tabs, then insert the upper tab.



#### 4. Check the throttle cable free play

- Check the throttle cable free play at the tip of the cable by pulling and releasing the throttle trigger a few times. It should be 0.5-2.5mm at the tip of the throttle cable.

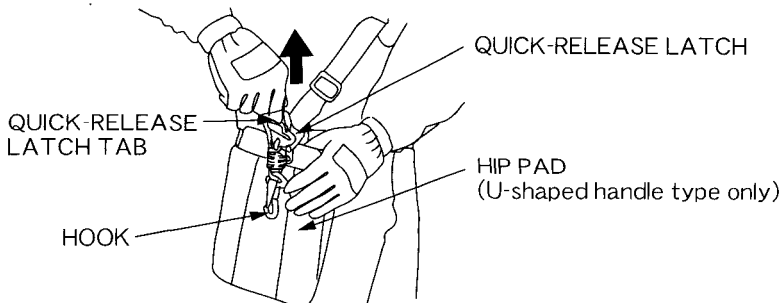


If the free play is not as specified above, adjust the free play (see page 51).

- Check the throttle trigger operates smoothly and always springs back to the idle position.

#### 5. Check the quick-release latch

1. Put on the carrying harness.
2. Check the latch is released as soon as the quick-release latch tab is pulled upwards while holding the hip pad (U-shaped handle type only) with your left hand.
3. Insert the latch tongue in the slot of the quick-release latch to reattach the trimmer to the carrying harness.



If the latch is not released, have your device inspected and repaired by your servicing dealer.

---

## 6. Inspect the cutting attachment

Nylon-line cutting head inspection:

**⚠ WARNING** For safety, check the cutting head before starting the engine. Operating the grass/weed trimmer with the loose, cracked, or other damaged cutting head can cause a personal injury or equipment damage. A thrown cutting head by loose fastening can hit the operator or bystanders causing death or serious injury.

**CAUTION:** Wear heavy gloves to protect your hands, when you turn a spool.

1. Stop the engine and remove the spark plug cap.
2. Check the cutting head for looseness.  
Tighten the cutting head securely if it is loose (see page 46).  
If it is hard to do it yourself, consult your authorised Honda dealer.
3. Check the nylon line for fluffing.  
If the nylon line is damaged, have the nylon line advance according to the following procedures.

Pull and turn a spool counterclockwise to the next notch so that the nylon line can advance.

---

## Blade inspection:

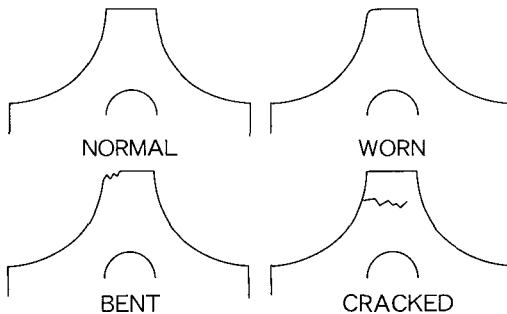
**⚠ WARNING** For safety, check the blade for wear and damage and check the tightness of the blade nut before starting the engine. Operating the grass/weed trimmer with a worn, cracked, or damaged blade can cause a personal injury or equipment damage. A worn, cracked or damaged blade can break and pieces of the damaged blade can hit the operator or bystanders causing death or serious injury.

**CAUTION:** Wear heavy gloves to protect your hands, when working around the blade.

1. Stop the engine and remove the spark plug cap.
2. Check the tightness of the blade nut.  
Tighten the nut if it is loose (see page 47).  
If it is hard to do it yourself, consult your authorised Honda dealer.
3. Check the blade for wear, bending, cracking and other damage.  
If the blade is worn out, cracked, chipped, or otherwise damaged replace the damaged blade with a new one which is a genuine Honda replacement blade or its equivalent (see page 47).

A dull blade can be sharpened.

If it is hard to do it yourself, consult your authorised Honda dealer.



---

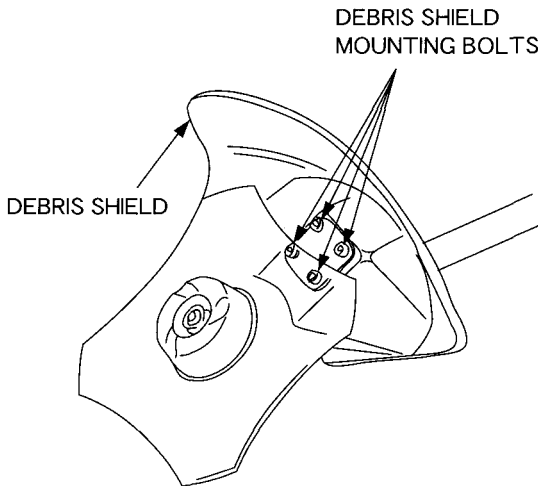
## 7. Inspect the debris shield

### **⚠ WARNING**

- Never use the grass/weed trimmer without its debris shield. Stones or other foreign objects thrown outward by the rotating cutting attachment (nylon-line cutting head or cutting blade) or contact with the rotating cutting attachment could cause personal injury or property damage.
- Do not touch the line cut-off knife. Contact with it may hurt your fingers.

1. Inspect the debris shield to be sure that it is correctly installed and is not damaged. If the debris shield is damaged, replace it before using the grass/weed trimmer.
2. Check the debris shield mounting bolts for looseness. Tighten the bolts securely, if necessary.

### Cutting blade:



---

## 8. Check all bolts and nuts

1. Check each bolt and nut for looseness. Tighten them securely if necessary.
2. Check the handle for loose mounting bolts or screws, and tighten them securely if necessary.



# 6. STARTING THE ENGINE

**▲ WARNING**

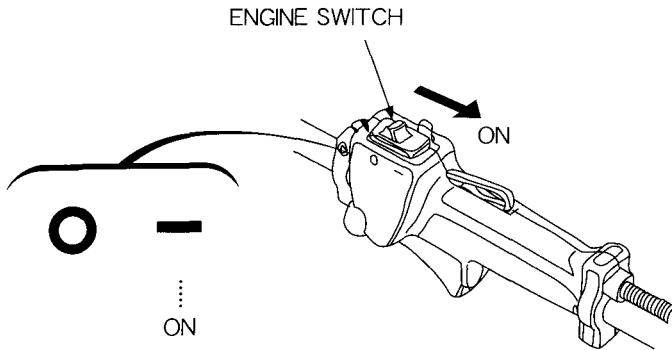
- Exhaust gas contains poisonous carbon monoxide. Never run the engine in an enclosed area. Be sure to provide adequate ventilation.
- Start the engine in a place away from the people, pets, and surrounding buildings. Be sure there are no obstacles in the working area.

**CAUTION :** Do not start the engine with the grass/weed trimmer hanged from the carrying harness or raised in the air off the ground. The trimmer can make unexpected movement causing injury in your legs, etc.

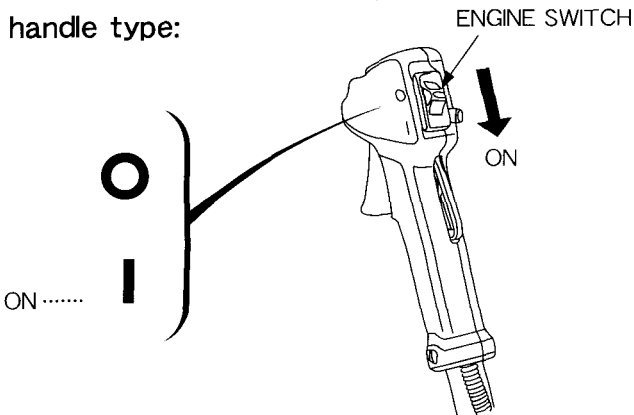
**NOTE :** Place the grass/weed trimmer in an area free from the obstacles, and be sure the cutting attachment is not in contact with the ground and other materials.

1. Turn the engine switch to the ON position.

**Loop handle type:**



**U-shaped handle type:**

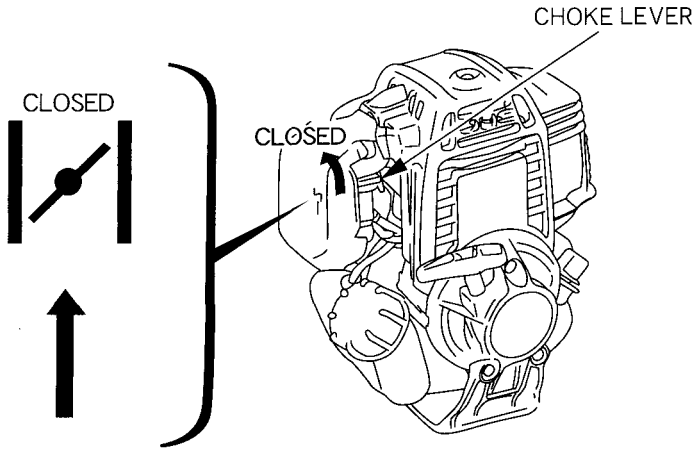


---

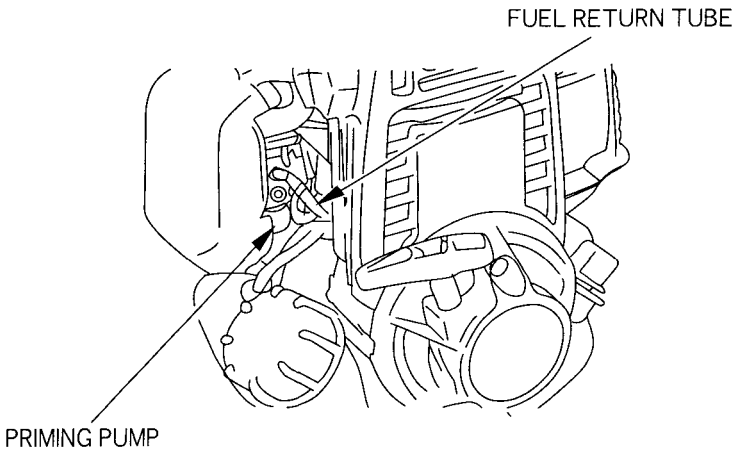
2. Move the choke lever to the CLOSED position.

**NOTE**

Do not use the choke if the engine is warm or the air temperature is high.



3. Press the priming pump several times until a fuel flow in the fuel return tube is visually noticed.



---

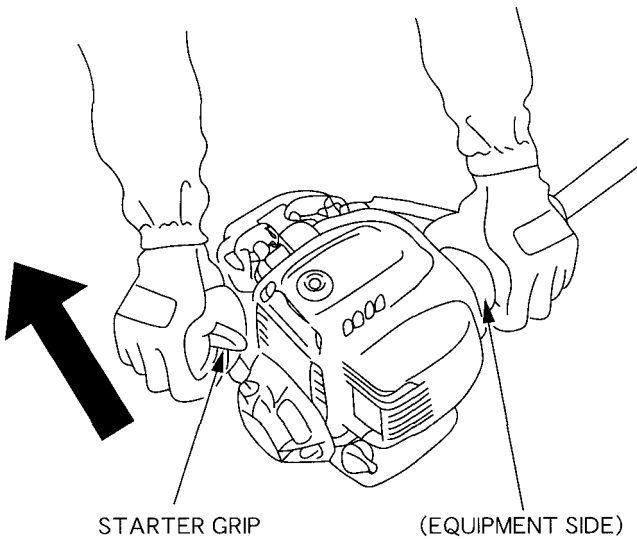
4. Pull the starter grip lightly until resistance is felt, then pull briskly.

**CAUTION :**

Do not allow the starter grip to snap back against the engine.  
Return it gently to prevent damage to the starter.

**NOTE :**

Always pull the starter grip briskly. If not pulled briskly, the spark plug won't spark, resulting in failure to start the engine.



## Idle-up function

The idle-up function is a function that helps an engine to start by opening the throttle valve in the carburetor moderately when the engine won't start.

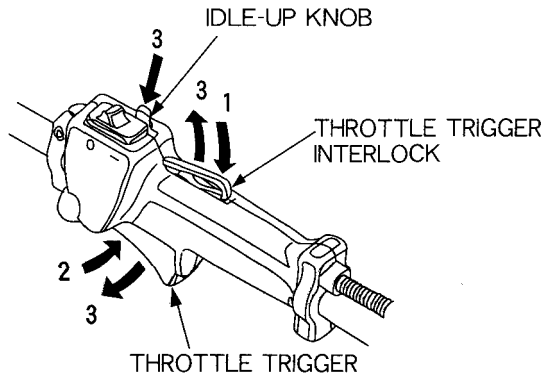
1. Hold down the throttle trigger interlock.
2. Pull the throttle trigger.
3. Push the idle-up knob, then release the throttle trigger and throttle trigger interlock in that order.
4. Start the engine.

NOTE : This function must not be used whilst trimming .

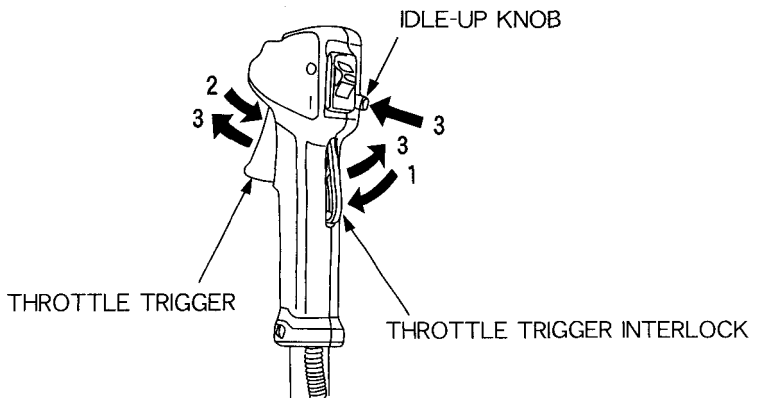
If the engine won't start after performing the idle-up function, consult the Honda servicing dealer.

### Loop handle type:

NOTE :



### U-shaped handle type:



# 7. TRIMMING OPERATION

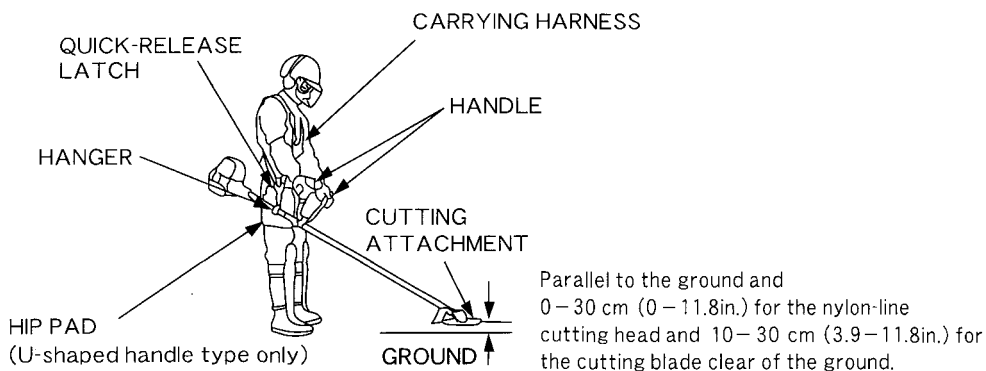
Read and understand the safety instructions on pages 4 to 13 before operating the grass/weed trimmer.

If you notice any abnormal sound, smell, vibration, or other unusual signs, stop the engine immediately and consult your authorised Honda dealer.

## Grass/weed trimmer holding position adjustment:

Stop the engine and adjust the length of the carrying harness.

1. Adjust the carrying harness so that the quick-release latch is positioned at your right hip.
2. Hang the trimmer on the carrying harness hook by its hanger.
3. Keep the trimmer so that the cutting attachment (nylon-line cutting head or cutting blade) is parallel to the ground by holding the handle with both hands.
4. Adjust the carrying harness length so that the cutting attachment is parallel to the ground and stays above the ground keeping the clearance specified below.



**⚠ WARNING** Do not operate the grass/weed trimmer if the rotating cutting attachment can reach your feet. Your feet can get injured if the rotating cutting attachment touches your feet.

Stop the engine and check the balance of the grass/weed trimmer between front and rear.

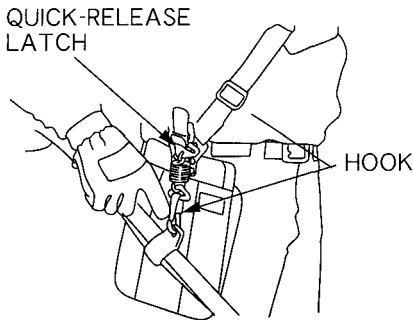
1. Hold the grass/weed trimmer at the correct position as mentioned above.
2. Slacken your grip on the handle gradually. Do not release but put your both hands lightly on the handle, and be sure that the height of the cutting attachment from the ground does not change significantly. Adjustment is necessary if the cutting attachment rises high above your knees. Do not operate the grass/weed trimmer before adjustment, and consult your authorised Honda dealer for adjustment.

---

## Basic operation:

- With the engine idling, hook the trimmer to your carrying harness and hold the trimmer in the correct position. Be careful to avoid contact with the cutting attachment (nylon-line cutting head or cutting blade) while handling the trimmer with the engine running.

The cutting attachment should not rotate with the engine idling. If there is rotation at idle, adjust the idle speed correctly before using the trimmer. For idle adjustment, consult your servicing dealer.

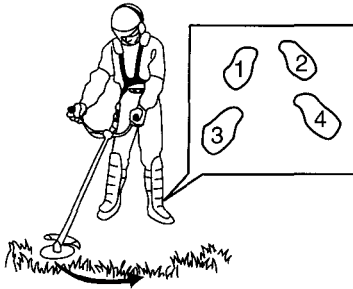


- Hold the trimmer firmly with both hands, with your fingers and thumbs encircling the handles as shown below. This will help you to keep the trimmer under control at all times.
- Keep firm footing and balance.
- Do not overreach.
- Keep the cutting attachment below your knee height.
- Keep all part of your body away from the rotating cutting attachment and hot surfaces.



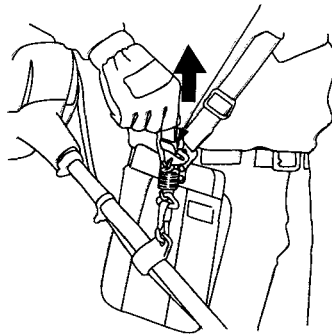
- 
- Operate the grass/weed trimmer not by using your arm force but by using your waist so that the cutting attachment swings in a level arc from right to left.  
Hold the grass/weed trimmer so that you can shift your weight to the right leg then to the left leg safely and easily, and walk slowly.
  - When operating the grass/weed trimmer on a moderate slope, stand at the lower side of the slope. A steep slope is slippery and you can lose your balance. Do not operate the grass/weed trimmer on a steep slope.

**CAUTION :** Take good care of your steps. Do not operate the grass/weed trimmer in a place which is slippery, or you can lose your balance.



- In an emergency, pull up the quick-release latch tab to detach the grass/weed trimmer from the carrying harness.

QUICK-RELEASE LATCH TAB



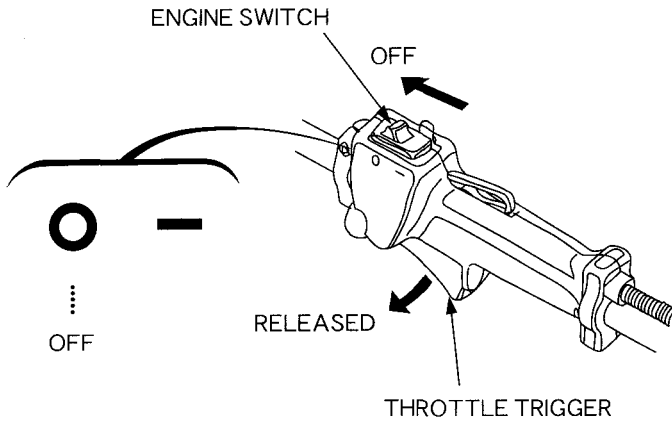
- Your grass/ weed trimmer is not designed to cut down trees. Do not use your grass/weed trimmer as a pruning tool.

## 8. STOPPING THE ENGINE

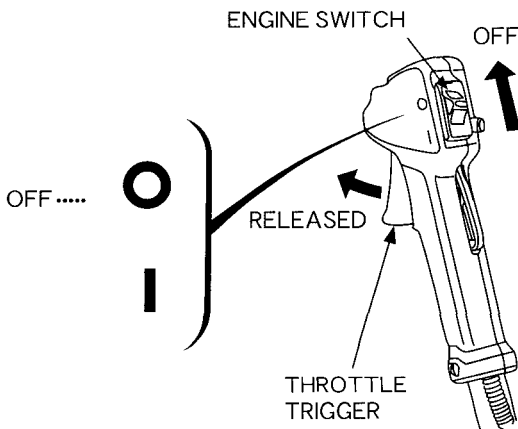
1. Release the throttle trigger.
2. Turn the engine switch to the OFF position.

**CAUTION :** Note that the cutting attachment keeps turning for a while by inertia after the engine is stopped.

Loop handle type:



U-shaped handle type:



**NOTE :** Be sure that the engine is stopped and the cutting attachment stops turning before placing the grass/ weed trimmer on the ground.



# 9. MAINTENANCE

---

## WARNING

- Before performing any maintenance, place the grass/weed trimmer on a level surface, stop the engine and remove the spark plug cap to be certain the engine will not start accidentally.
- The grass / weed trimmer should be serviced by an authorised Honda dealer unless the owner has proper tools and service data and is mechanically qualified.

**CAUTION :** Use only genuine Honda parts or their equivalent for maintenance or repair. Replacement parts which are not of equivalent quality may damage the trimmer.

Periodic inspection and adjustment of the Honda UMK425U • UMK435U. are essential if high level performance is to be maintained. Regular maintenance will also help to extend service life. The required service intervals and the kind of maintenance to be performed are described in the chart on the following page.

For longer service and efficiency, keep the underside of the debris shield clean and free of accumulated grass clippings by washing it down with a hose after each use and /or cleaning it with a brush and scraper.

## Maintenance schedule

REGULAR SERVICE PERIOD (3) Perform at every indicated month or operating hour interval, whichever comes first.		Before each use	First Month or 10 Hrs.	Every 3 Months or 25 Hrs.	Every 6 Months or 50 Hrs.	Every Year or 100 Hrs.	Every 2 years or After each 300 Hrs.	Refer to page	
ITEM									
Engine oil	Check	○						23	
	Change		○		○			45	
Air cleaner	Check	○						28	
	Clean			○(1)				47	
Cutting attachment	Check	○						30	
Debris shield	Check	○						32	
Nuts, bolts, fasteners (Retighten if necessary)	Check	○						33	
Shoulder harness quick-release	Check	○						29	
Throttle cable	Check	○						29,53	
Gear case	Lubricate				○(2)				
Clutch shoes and drum	Check				○(2)				
Spark plug	Clean-Adjust					○		51	
	Replace						○	51	
Engine cooling fins	Check				○			54	
Idle speed	Check-Adjust					○(2)			
Valve clearance	Check-Adjust					○(2)			
Combustion chamber	Clean						○(2)		
Fuel tank strainer	Check					○		55	
Fuel tank	Clean					○		56	
Fuel line	Check	Every 2 years [Replace (2) if necessary]							

NOTE : (1) Service more frequently when used in dusty areas.

(2) These items should be serviced by your servicing dealer, unless you have the proper tools and are mechanically proficient. Refer to Honda shop manual for service procedures.

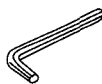
(3) Log hours of operation to determine proper maintenance intervals.

---

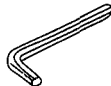
## Tool kit

The tools supplied are necessary for performing some periodic maintenance simple adjustments and repairs.

4mm HEXAGON WRENCH

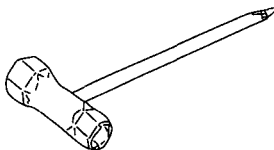


5mm HEXAGON WRENCH



N/A UMK425U UGU

16 X 19 SCREW DRIVER



## 1. Engine oil change

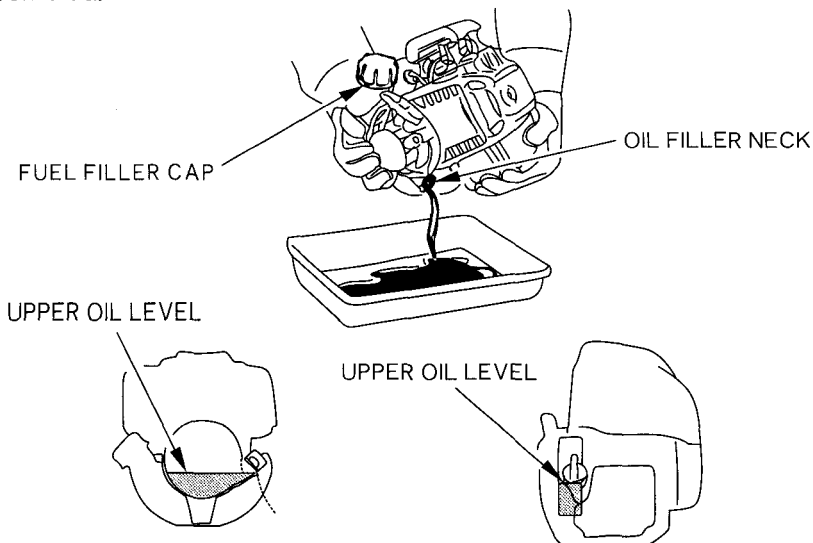
### NOTE :

· Drain the oil while the engine is still warm to assure rapid and complete draining.

1. Check the fuel tank cap is tightened.
2. Remove the oil filler cap and drain the oil into the oil container by tipping the engine toward the oil filler neck.
3. Refill with the recommended oil (see page 22) and check the oil level (see page 21).

**ENGINE OIL CAPACITY (Disassembly):** UMK 425U 0.08 l  
UMK 435U 0.10 l

The oil capacity when replacing oil is less than the oil capacity when disassembled.



4. Install the oil filler cap.

If any oil is spilled, make sure to wipe it.

Wash your hands with soap and water after handling used oil.

---

NOTE : Please dispose of used motor oil in a manner that is compatible with the environment. We suggest you take it in a sealed container to your local service station for reclamation. Do not throw it in the trash or pour it on the ground.

---

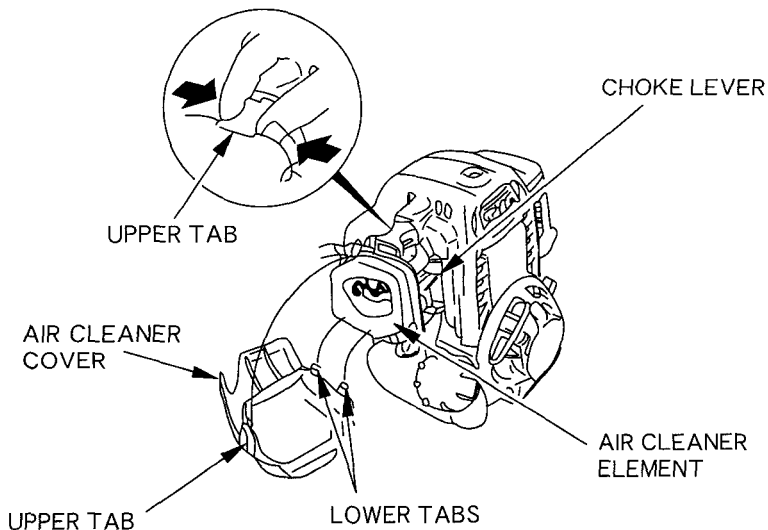
## 2. Air cleaner service

A dirty air cleaner will restrict air flow to the carburetor. To prevent carburetor malfunction, service the air cleaner regularly. Service more frequently when operating the grass/weed trimmer in dusty areas.

**▲WARNING** Never use petrol or low flash point solvents for cleaning the air cleaner element. A fire or explosion could result.

**CAUTION :** Never run the engine without the air cleaner. Rapid engine wear will result.

1. Move the choke lever to the CLOSED (upwards) position.
2. Remove the air cleaner cover by unhooking the upper tab on the top of the air cleaner cover and its two lower tabs.
3. Wash the element in a nonflammable or high flash point solvent and dry it thoroughly.
4. Soak the element in clean engine oil and squeeze out the excess oil.
5. Reinstall the air cleaner element.
6. Reinstall the air cleaner cover by inserting the lower tabs, then insert the upper tab.



---

### 3. Cutting attachment replacement

Nylon-line cutting head:

**▲ WARNING**

- To avoid severe personal injury, disconnect the spark plug cap to prevent accidental starting.
- Use a genuine Honda replacement cutting head or its equivalent.

**CAUTION :** Wear heavy gloves to protect your hands when replacing the cutting head.

1. Stop the engine and remove the spark plug cap.
2. Insert a 4 mm hexagon wrench into the locking tool hole to keep the drive shaft from turning.
3. Turn the cutting head assembly clockwise to remove it from the gear case.  
Replace it with new one.

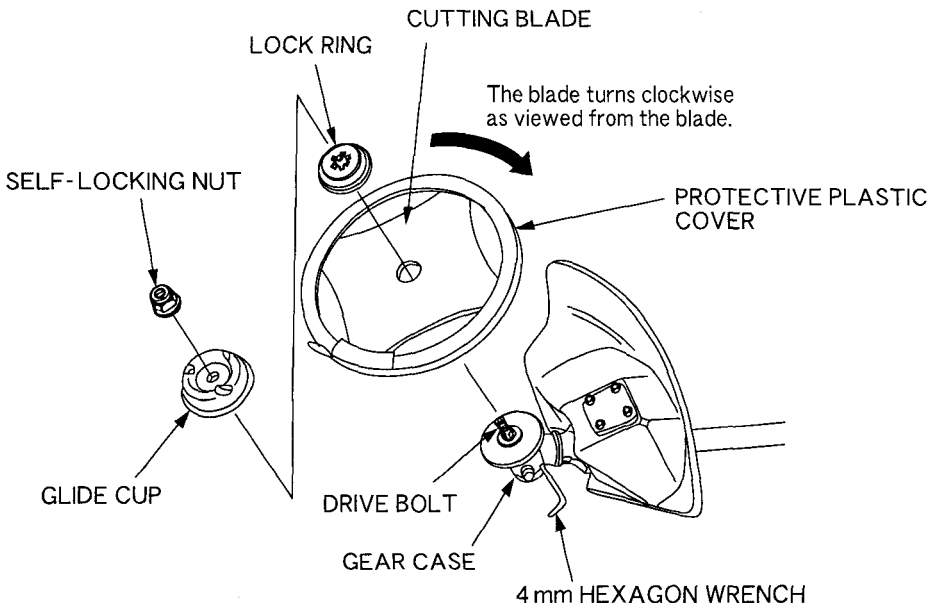
## Cutting blade:

### ⚠ WARNING

- To avoid severe personal injury, disconnect the spark plug cap to prevent accidental starting.
- Use a genuine Honda replacement cutting blade or its equivalent.

**CAUTION :** Wear heavy gloves to protect your hands, when working around the cutting blade.

1. Install a protective plastic cover (supplied with the blade) on the edge of the cutting blade for safety and to protecting the blade.
2. Insert the tip of the 4 mm hexagon wrench (supplied with your trimmer) fully into the hole on the gear case.
3. Turn the cutting blade until you feel the tool drops into the hole in the internal locking ring. Verify the blade does not turn. The drive bolt and blade nut use left-hand threads. Make sure the 4 mm hexagon wrench remains in the hole, then loosen (turn clockwise) the self-locking nut. Pay attention to the order and orientation of the parts as they are removed.
4. Installation can be performed in the reverse order of removal. Make sure you install the blade with the cutting edge in the direction of rotation. Torque the blade nut to 1.9 kgf·m (19N · m, 14 ft·lb).





#### 4. Debris shield change

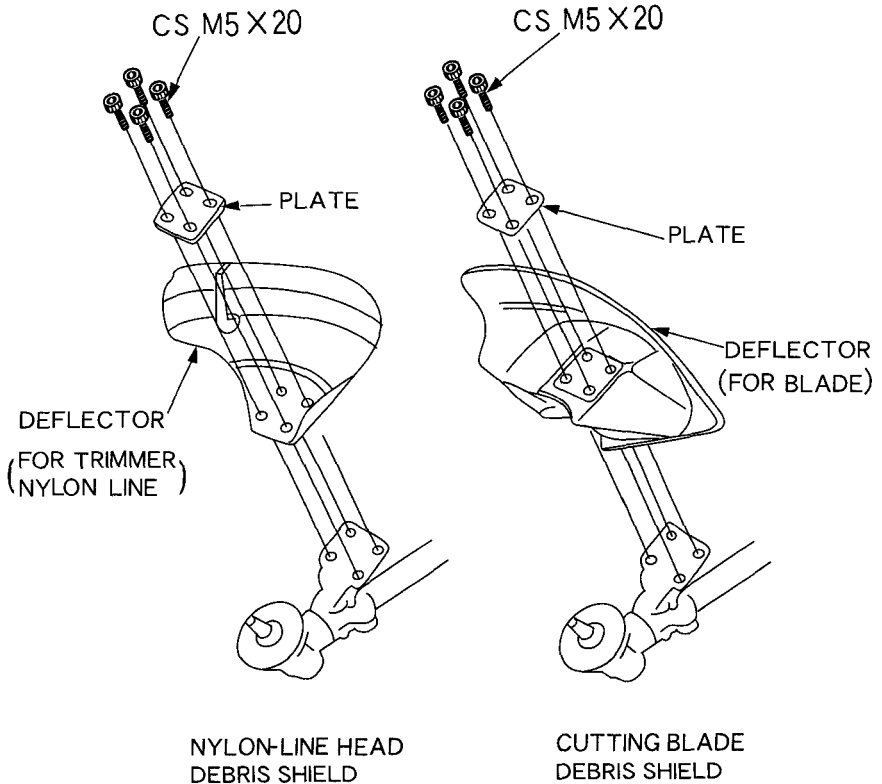
**⚠ WARNING**

- Install the debris shield securely in the proper position to protect you from debris thrown from a cutting rotating attachment.

**CAUTION :** Wear heavy gloves to protect your hands, when working around the cutting attachment.

Refer to the illustration below for removing and installing the debris shield. Note that the debris shield for the nylon-line cutting head uses an additional spacer plate and the longer 5 X 20 mm bolts.

Tighten the bolts securely. Torque the bolts to 0.34 kgf·m (3.4N · m, 2.5 ft·lb).



---

## 5. Spark plug service

Recommended spark plug:  
CMR5H(NGK)

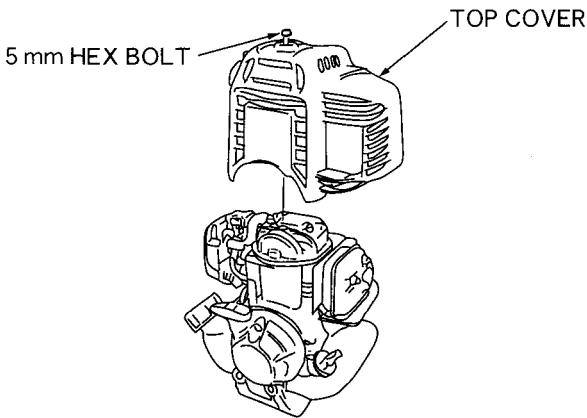
### CAUTION :

Never use a spark plug of an incorrect heat range.

To ensure proper engine operation, the spark plug must be properly gapped and free of deposits.

1. Loosen the 5 mm hex bolt, then remove the top cover.

Do not pull the starter grip and start the engine without the top cover. There are rotating and hot parts under the cover.

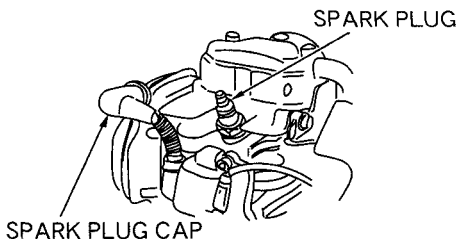


2. Remove any dirt from around the spark plug area.

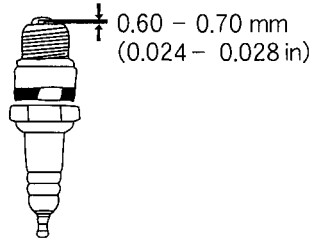
3. Remove the spark plug cap and use the proper size spark plug wrench to remove the spark plug.

### ▲ WARNING

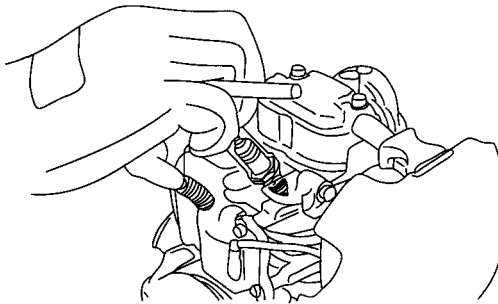
If the engine has been running, the muffler will be very hot. Be careful not to touch the muffler.



- 
4. Visually inspect the spark plug. Discard the spark plug if there is apparent wear, or if the insulator is cracked or chipped. Clean the spark plug with a wire brush if it is to be reused.
  5. Measure the plug gap with a feeler gauge. Correct as necessary by bending the side electrode.  
The gap should be:  
0.60–0.70 mm (0.024–0.028 in)



6. Check that the spark plug washer is in good condition and thread the spark plug in by hand to prevent cross-threading.
7. After the spark plug is seated, tighten with a spark plug wrench to compress the washer.



**NOTE:**

When installing a new spark plug, tighten 1/2 turn after the spark plug seats to compress the washer. When reinstalling a used spark plug, tighten 1/8 – 1/4 turn after the spark plug seats to compress the washer.

8. Attach the spark plug cap.
9. Install the top cover, and tighten the 5mm hex bolt securely.

**CAUTION:**

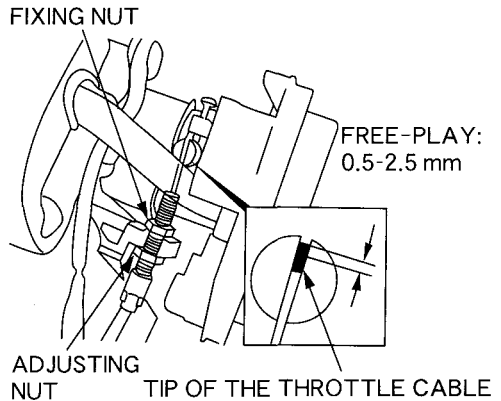
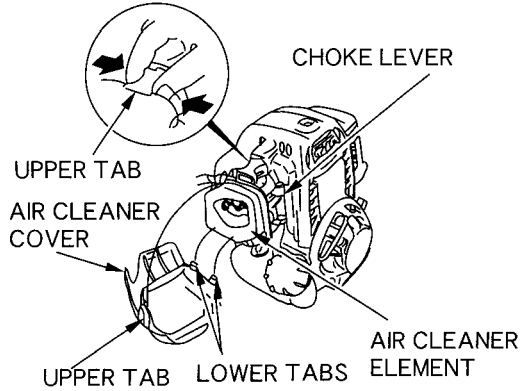
The spark plug must be securely tightened. An improperly tightened spark plug can become very hot and may damage the engine.

## 6. Throttle cable check and adjustment

Adjust the throttle cable free-play properly.

### Adjustment:

1. Move the choke lever to the CLOSED (upwards) position.
2. Remove the air cleaner cover by unhooking the upper tab on the top of the air cleaner cover and its two lower tabs.
3. Loosen the throttle cable fixing nut.
4. Check the throttle cable free-play at the tip of the cable by pulling and releasing the throttle trigger a few times and adjust the free-play by using the adjusting nut. It should be 0.5-2.5 mm at the tip of the throttle cable.



5. Reinstall the air cleaner cover by inserting the lower tabs, then insert the upper tab.

**CAUTION:**

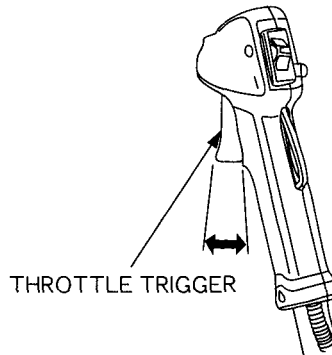
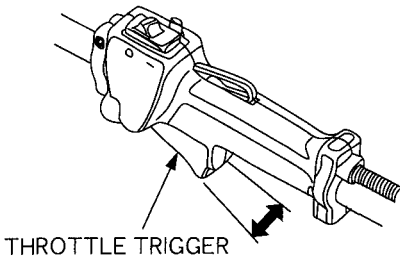
- After removing the air cleaner cover, reinstall the air cleaner cover securely.  
Failure to tighten the cover securely may cause the cover to come out of position through vibration.
- Operating the engine without the air cleaner or improperly installed air cleaner will allow dirt to enter the inside of the engine, causing damage.

After adjustment, check the throttle trigger for smooth operation. Check the throttle cable free-play at the tip of the cable again.

Consult your authorised Honda dealer if necessary.

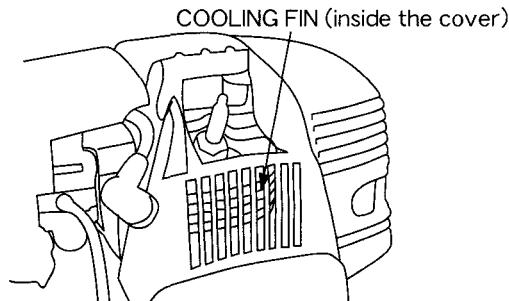
**Loop handle type:**

**U-shaped handle type:**



**7. Engine cooling fins inspection**

Inspect the cooling fins visually through the cover. If there is dry grass, leave or mud clogging the fins, consult your authorised Honda power equipment dealer for cleaning.

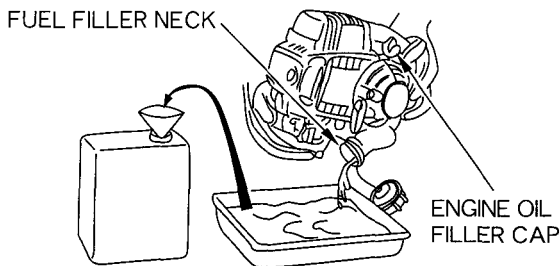


## 8. Fuel tank strainer service

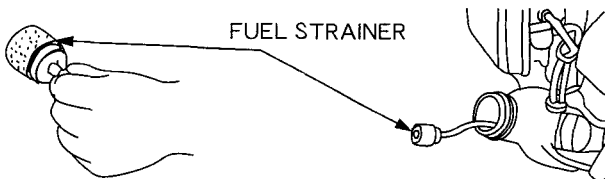
Note that a clogged fuel strainer can cause poor engine performance.

**▲WARNING** Petrol is extremely flammable and is explosive under certain conditions. You can be burned or seriously injured when handling fuel. Observe the following when servicing the fuel tank strainer.

- Stop the engine.
  - Inspect in a well-ventilated area.
  - Keep heat, sparks, and flame away. Do not smoke.
  - Do not spill the petrol. If you spill petrol, wipe it up immediately and dispose of the cloth or shop towel in a manner that is compatible with the environment.
1. Be sure that the engine oil filler cap is tightened securely.
  2. Remove the fuel tank cap and drain the gasoline into the container by tipping the engine toward the fuel filler neck.



3. Gently pull out the fuel tank strainer with mechanics wire from the fuel filler neck.
4. Check the fuel tank strainer for contamination. If the fuel tank strainer is dirty, wash it gently with nonflammable or high flash point solvent. If the fuel tank strainer is excessively dirty, replace it.



5. Reinstall the fuel tank strainer into the fuel tank and tighten the fuel tank cap securely.

---

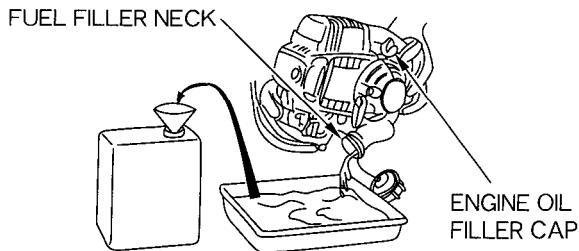
## 9. Fuel tank cleaning

Water and dust, dirt or foreign material in the fuel tank cause poor engine performance.

**⚠ WARNING** Petrol is extremely flammable and is explosive under certain conditions. You can be burned or seriously injured when handling fuel. Observe the following when cleaning the fuel tank.

- Stop the engine.
- Inspect in a well-ventilated area.
- Keep heat, sparks, and flame away. Do not smoke.
- Do not spill the petrol. If you spilled the gasoline, wipe it up immediately and dispose of the cloth or shop towel in a manner that is compatible with the environment.

1. Be sure that the engine oil filler cap is tightened securely.
2. Remove the fuel tank cap and drain the gasoline into the container by tipping the engine toward the fuel filler neck.



3. Pull out the fuel tank strainer with the mechanics wire from the fuel filler neck gently.
4. Remove water and dirt sitting in the fuel tank by rinsing the inside of the fuel tank with nonflammable or high flash point solvent.
5. Reinstall the fuel tank strainer into the fuel tank and tighten the fuel tank cap securely.

# 10. STORAGE

Proper storage preparation is essential for keeping your grass/ weed trimmer trouble free and looking good. The following steps will help to keep rust and corrosion from impairing your grass/weed trimmer.

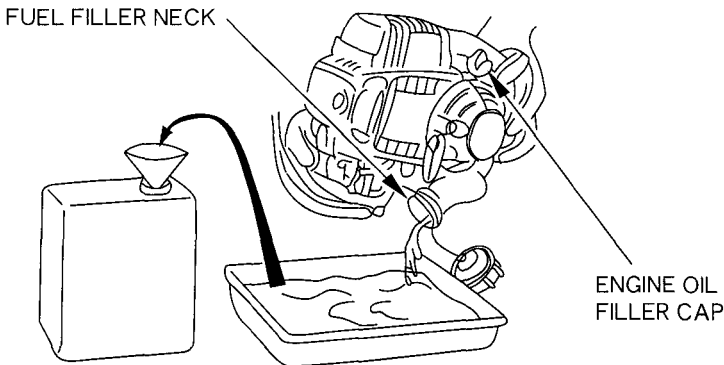
## CAUTION:

- If the grass/weed trimmer has been running, the engine will be very hot; allow it to cool before proceeding.
- Place the grass/weed trimmer on a level surface and remove the spark plug cap to be certain the engine will not start accidentally.

1. Clean all exterior surfaces, touch up any damaged paint, and coat other areas that may rust with a light film of oil.
2. Drain the fuel.

**▲ WARNING** Petrol is extremely flammable and explosive under certain conditions. Do not smoke or allow flames or sparks in the area.

- a. Be sure that the engine oil filler cap is tightened securely.
- b. Remove the fuel tank cap and drain the fuel into the container by tipping the engine toward the fuel filler neck.





- 
- c. Press the priming pump several times until all fuel left in the fuel return tube is returned into the fuel tank.
  - d. Tip the engine toward the fuel filler neck again to drain the fuel left in the fuel tank into the container.
  - e. Tighten the fuel tank cap securely after draining the fuel completely.
3. Change the engine oil (see page 43).
  4. Clean the air cleaner (see page 45).
  5. Remove the spark plug and pour a few drops of clean engine oil into the cylinder.
  6. Crank the engine several revolutions to distribute the oil, then reinstall the spark plug. Pull the starter grip slowly until resistance is felt.
  7. Cover the grass/ weed trimmer to keep out dust.

# 11. TROUBLESHOOTING

---

When the engine will not start:

1. Is the engine switch in the ON position?
2. Is there fuel in the fuel tank (see page 23)?

**▲ WARNING** Petrol is extremely flammable and explosive under certain conditions. Do not smoke or allow flames or sparks in the area.

3. Is petrol reaching the carburetor?

To check, press the priming pump several times (see page 33).

4. Is there a spark at the spark plug (see page 49)?
  - a. Remove the spark plug cap. Clean any dirt from around the spark plug base, then remove the spark plug.
  - b. Install the spark plug in the plug cap.
  - c. Turn the engine switch ON.
  - d. Grounding the side electrode to the cooling fin below the spark plug hole, pull the recoil starter to see if sparks jump across the gap.
  - e. If there is no spark, replace the spark plug.  
If OK, reinstall the spark plug and try to start the engine according to the instructions.

5. If the engine still does not start, take the grass/weed trimmer to an authorised Honda dealer.

When an abnormal vibration occurs during operation, immediately turn off the engine and check the cutting attachment is properly installed and tightened securely, and inspect it for wear, crack or any other damage. If necessary, replace it (see page 46).

# 12. SPECIFICATIONS

---

Model UMK425U

## Frame

Type	LGU	UGU
Handle type	Loop	U-shaped
Overall length (with 4-tooth blade)	1860 (1880)	
Overall width	320 (350)	610
Overall height	250	430 (400)
Dry weight (without cutting head)	5.7	5.9
Clutch type	Centrifugal clutch	
Cutter	Nylon-line: Tap & Go Type(420mm) Cutting blade: 4-teeth blade (230mm)	

## Applicable debris shield

Type	LGU	UGU
For nylon-line cutting head	○	○
For cutting blade	○	○

### NOTE:

Specifications may vary according to the types, and are subject to change without notice.

## Engine

MODEL	UMK425U
Engine model	GX25
Engine type	4-stroke,overhead valve, 1 cylinder
Displacement	25cm <sup>3</sup>
Bore X Stroke	35mm X26mm
Max. output	0.81Kw(1.1ps)/7,000rpm
Max. torque	1.25N · m(0.13kg · m)/5,000rpm
Fuel consumption	340g/kWh(250g/PSh)
Cooling system	Forced air
Ignition system	Transistor Magneto
Oil capacity	0.08l
Fuel tank capacity	0.55l
Spark plug	NGK:CMR5H

### NOTE:

Specifications may vary according to the types, and are subject to change without notice.

---

## Model UMK435U

### Frame

Type	LHU/LGU	UHU/UGU
Handle type	Loop	U-shaped
Overall length (with 4-tooth blade)	1865 (1900)	
Overall width	320 (350)	610
Overall height	260	455 (425)
Dry weight (without cutting head)	6.9	7.2
Clutch type	Centrifugal clutch	
Cutter	Nylon-line: Manual type (444mm) (LHU/UHU) Tap & Go Type (444mm) (LGU/UGU) Cutting blade: 4-teeth blade (255mm)	

### Applicable debris shield

Type	LHU/LGU	UHU/UGU
For nylon-line cutting head	○	○
For cutting blade	○	○

### NOTE:

Specifications may vary according to the types, and are subject to change without notice.

---

## Engine

MODEL	UMK435U
Engine model	GX35
Engine type	4-stroke, overhead valve, 1 cylinder
Displacement	35.8cm <sup>3</sup>
Bore X Stroke	39mmX30mm
Max. output	1.2Kw(1.6ps)/7,000rpm
Max. torque	1.9N · m(0.19kg · m)/5,500rpm
Fuel consumption	360g/kWh(265g/PSh)
Cooling system	Forced air
Ignition system	Transistor Magneto
Oil capacity	0.1l
Fuel tank capacity	0.65l
Spark plug	NGK:CMR5H

### NOTE:

Specifications may vary according to the types, and are subject to change without notice.

Model UMK425U

Vibration

		UMK425U			
		UGU		LGU	
		left	right	left	right
Brush Cutters and Clearing Saws					
	Idling	5	4	3	2
	Full Throttle	3	3	3	7
Grass Trimmer					
	Full Throttle with no load	8	9	4	5

(M/S<sup>2</sup>)

Tested to Australian Standard AS3575-1995  
(2.9 Vibration Levels)

Sound pressure levels

		UMK425U	
		UGU	LGU
Australia New South Wales standard			
		76	76

(db)

\*The figure on the label pasted to the shaft, displays the 80db restriction level.

Tested to Australian Standard AS3575-1995  
(2.10 Sound Pressure Levels)

		UMK425U	
		UGU	LGU
Ear noise tested to ISO7917			
		101	101

(db)

# Model UMK435U

## Vibration

		UMK435U			
		UHU/UGU		LHU/LGU	
		left	right	left	right
Brush Cutters and Clearing Saws					
Idling		6	4	3	2
Full Throttle		4	6	3	10
Grass Trimmer					
Full Throttle with no load		6	4	4	11

(M/S<sup>2</sup>)

Tested to Australian Standard AS3575-1995  
(2.9 Vibration Levels)

## Sound pressure levels

		UMK435U	
		UHU/UGU	LHU/LGU
Australia New South Wales standard			
		79	79

(db)

\*The figure on the label pasted to the shaft,  
displays the 80db restriction level.

Tested to Australian Standard AS3575-1995  
(2.10 Sound Pressure Levels)

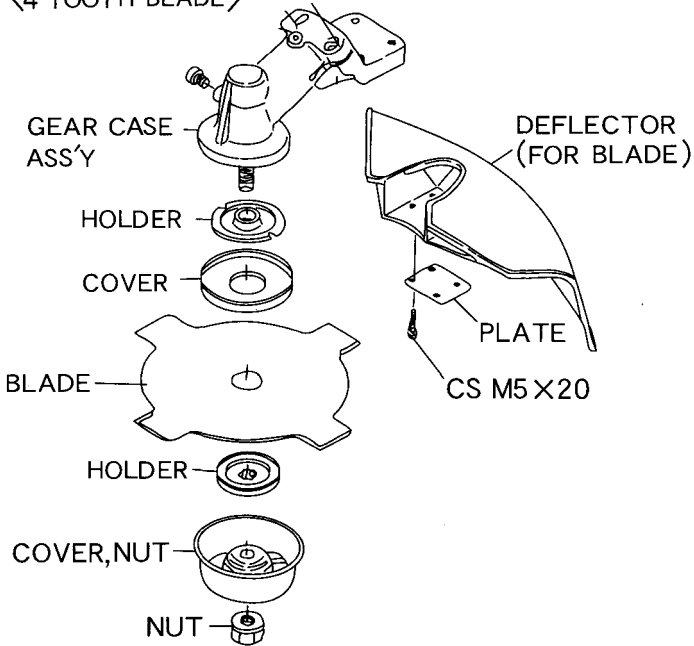
		UMK435U	
		UHU/UGU	LHU/LGU
Ear noise tested to ISO7917			
		103	103

(db)



# Set up chart

## <4-TOOTH BLADE>



## <NYLON-LINE CUTTING HEAD>

